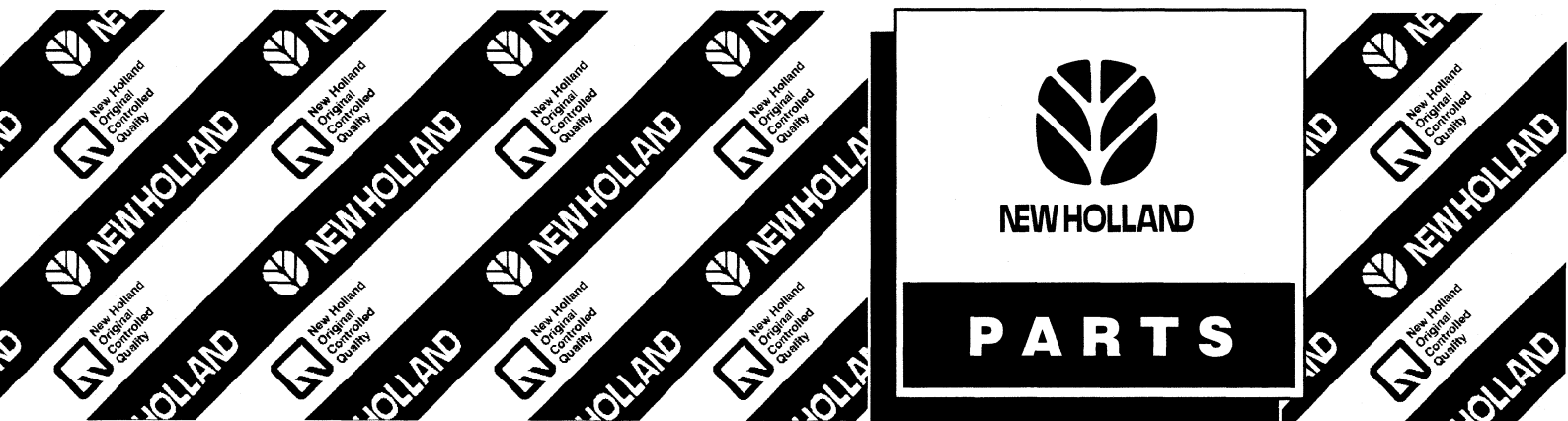


NEW HOLLAND K-11

SERVICE PARTS CATALOG



GENERAL INFORMATION

1. Whenever the terms left and right are used, it should be understood to mean from a position facing in direction of travel.
2. Throughout this manual you find common hardware not illustrated, but listed in the description column. The service part immediately preceding a hardware listing is the part using these particular items for mounting purposes. This hardware is not included with the service part or assembly when ordered as a replacement.
3. New Holland North America, Inc. is continually striving to improve its products. We must, therefore, reserve the right to make improvements or changes when it becomes practical and possible to do so, without incurring any obligation to make changes or additions to the equipment sold previously.

ALWAYS USE GENUINE NEW HOLLAND PARTS

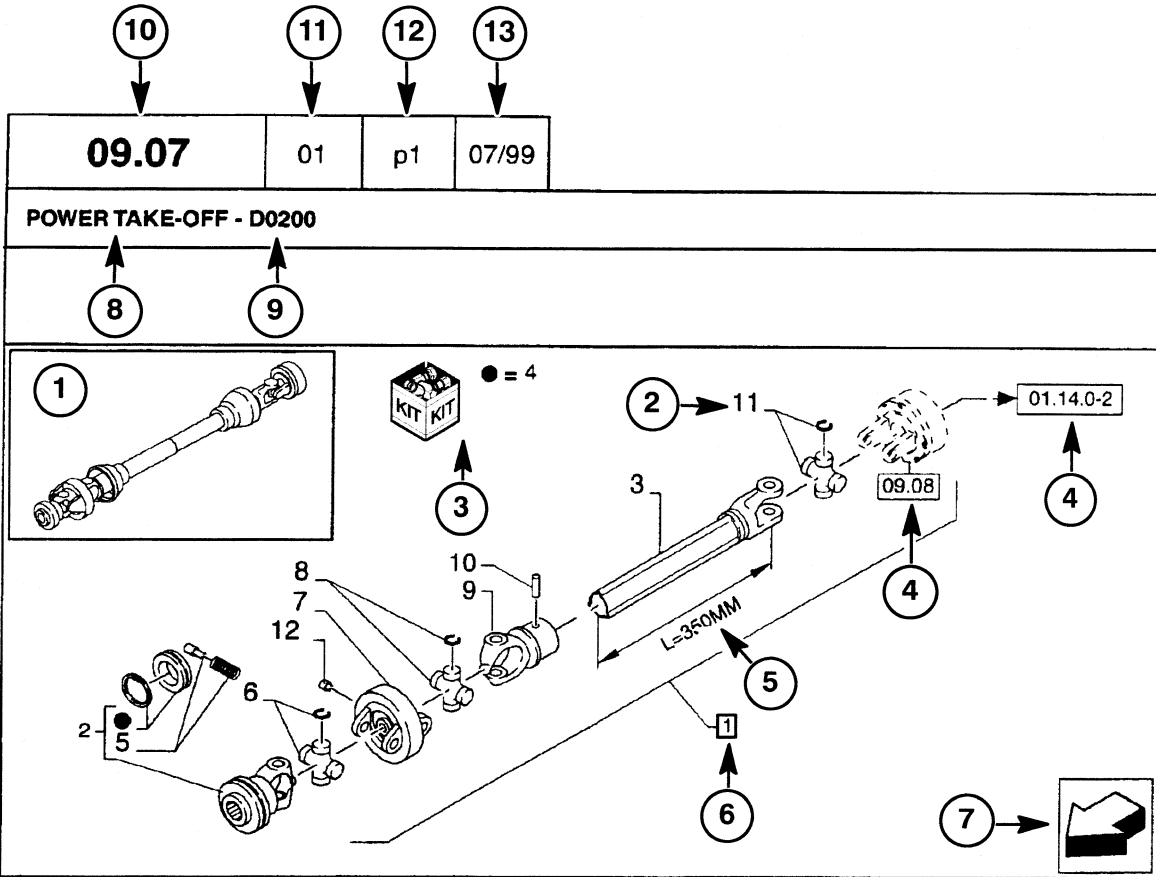
**NEW HOLLAND NORTH AMERICA, INC., 500 DILLER AVENUE,
NEW HOLLAND, PA 17557**







TABLE OF CONTENTS

01.01		MAIN FRAME, SPINNER & BASKET
01.02		LID, HEAT ELEMENT, MOTOR & ELECTRICAL
01.03		DECALS
02.01		HOUSING & DRYER DRIVE
02.02		CONTROL BOX & CABLES
02.03	1	CONTROL PANEL ELECTRICAL COMPONENTS, BSN 898359, K-24
02.03	2	CONTROL PANEL ELECTRICAL COMPONENTS, ASN 898359, K-24
02.04		UNHEATED DRYER COVER
02.05		STEAM-HEATED DRYER & COVER
02.06		ELECTRICALLY-HEATED DRYER & COVER
02.07		DECALS
03.01		HOUSING & DRYER DRIVE
03.02		CONTROL BOX & CABLES
03.03	1	CONTROL PANEL ELECTRICAL COMPONENTS, USED ON K-90 BSN 897094; K-90E BSN 886579; K-94 BSN 883813
03.03	2	CONTROL PANEL ELECTRICAL COMPONENTS, USED ON K-90 ASN 897093; K-90E & ASN 886578; K-94 ASN 883812
03.04		UNHEATED DRYER COVER
03.05		STEAM-HEATED DRYER & COVER
03.06		ELECTRICALLY-HEATED DRYER & COVER
03.07		DECALS





				09.07	01	p1	09/00
POWER TAKE-OFF - D0200				10	11	12	13
REF	FN	PART NUMBER	YR/SN	QTY	DESCRIPTION	12	13
1	1	86529340	Before 06/85	1	SHAFT, PTO 2 to 11 ← 6		
2	↑	84014007		1	YOKE Includes Ref. 4 & 5		
3	14	NSS ← 15		1	NOT SERVICED SEPARATELY Shaft, L=350MM		
4	↑	84004292	C0204	1	KIT		16
4	↑	{84058743}	D0500	1	KIT		
	2	↑	19	↑	↑		
		17		20	21		
		18					
		17					
(1) For Italy Only							
	22						
STANDARD ← 23				24 → MODELS			

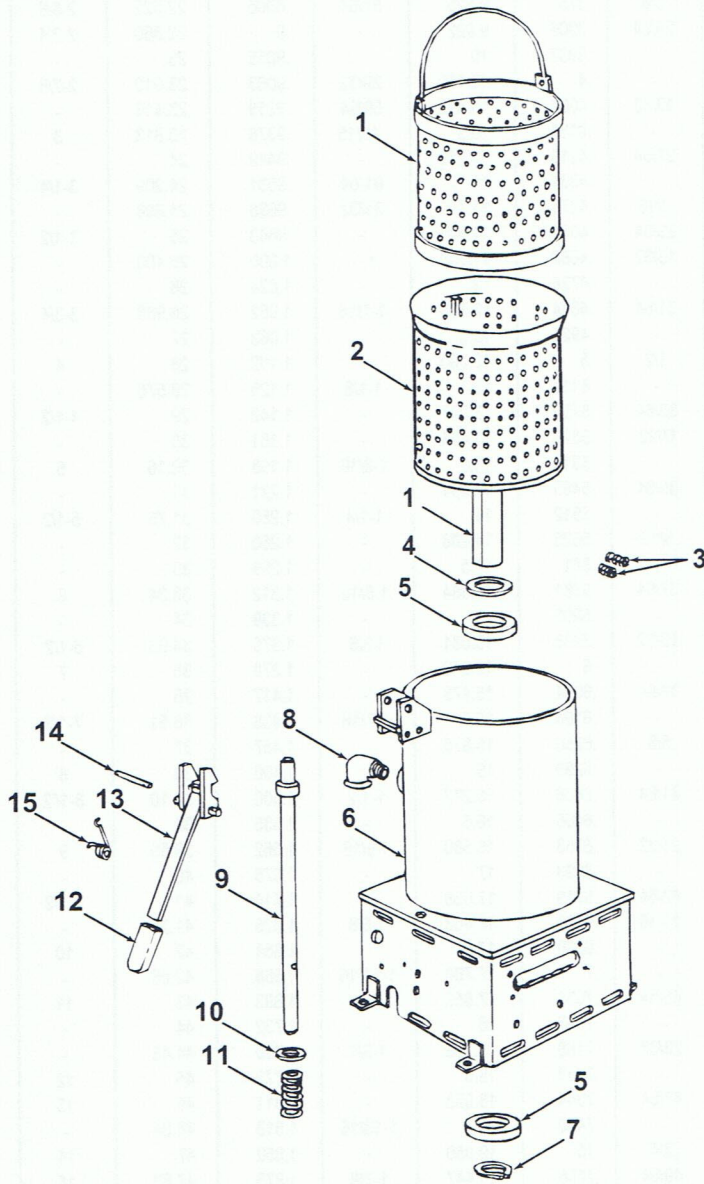
- 1 Position of the "Figure" on the machine.
- 2 Reference - Figure call-out of the part number.
- 3 Parts supplied in repair kits per symbol reference.
- 4 01.14.0-2 Parts illustrated on the Page or in the Figure indicated, or calls for Variations or Details. Indicates components shown in detail elsewhere in the catalog under the figure number shown.
- 5 Technical specifications relating to the Part indicated.
- 6 1 Item Includes References noted in description.
- 7 Orientation. (Arrow indicates front of the machine.) 
- 8 Figure description.
- 9 General information of the figure.
- 10 Assembly code.
- 11 Sequence code within the assembly.
- 12 Page number within the sequence code.
- 13 Date of printing or updating of page (month-year).
- 14 Note - Relating to the Part Number. There is a key to symbols and abbreviations at the bottom of the text page.
- 15 Non-serviced parts.
- 16 Further description of the part to help confirm identification.
- 17 Not available as service part in this market.
- 18 Part Number.
- 19 Year
 - Before 06/85 = Part valid for production 06/85 and before
 - From 07/85 = Part valid for production from 07/85 and after
 Serial Number
 - BSN 31011913 = Part valid for serial number 31011913 and below
 - ASN 31011914 = Part valid for serial number 31011914 and above
 Modification
 -  C 0201 = Part valid UNTIL 0201 change.
 -  D 0300 = Part valid FROM 0300 change.
 -  F 0202 = Part valid FROM Serial N..... to Serial N.....
 Implementation of change. Serial number from which the change starts. The numbers are indicated on the identification plate of the model.
 E.g.: D0300 Serial N 2503001 means that the part has been installed "From" serial number 2503001. Consequently, the parts marked by C0201, were installed "UP TO" serial number 2501999.
 See code table.
- 20 Total Quantity of the Part referred to in the page. The quantity can be replaced by the following indications:
 M = supplied in metres. AR = quantity as required.
- 21 Part Description.
- 22 Footnote references.
- 23 Figure notes.
- 24 Model number(s).

01.01

p1

02/03

MAIN FRAME, SPINNER & BASKET



MAIN FRAME, SPINNER & BASKET

REF	FN	PART NUMBER	YR/SN	QTY	DESCRIPTION
1		802718		1	Basket, Poly, 6 x 6, 3/16", Perforations
1		802719		1	Basket, Stainless Steel Perforated, 6 x 6, 1/16" Opening
1		802720		1	Basket, Carbon Steel, Perforated, 6 x 6, 16" Opening
1		803042		1	Basket, Poly Molded Frame, W/#40 Mesh Stainless Steel Liner, .015" Opening
2		9849151		1	Spinner
3	1	80443		2	Screw, Set, Hex Socket, Flat Point, 5/16" x 1/4"
4		26402		1	Washer, .06" x 1-1/64" I.D. x 1-1/2" O.D.
5		443898		2	Bearing
6		9849153		1	Main Frame
7		9617878		1	Ring, Snap, Ext, .984"
8		88872		1	Elbow, Street, Drain, 1-1/4"
9		786682		1	Rod
		280251		1	Pin, Split Cotter, 3/32" x 1"
10		87361		1	Washer, SAE, 1/4"
11		42019		1	Spring, Compression, Rod
12		703018		1	Grip, Latch, Handle
13		786687		1	Latch
14		289054		1	Pin, Clevis, 5/16" x 3-1/2", Latch
		280251		2	Pin, Split Cotter, 3/32" x 1"
15		39122		1	Spring, Torsion, Latch

(1) Used W/Old Style Spinner

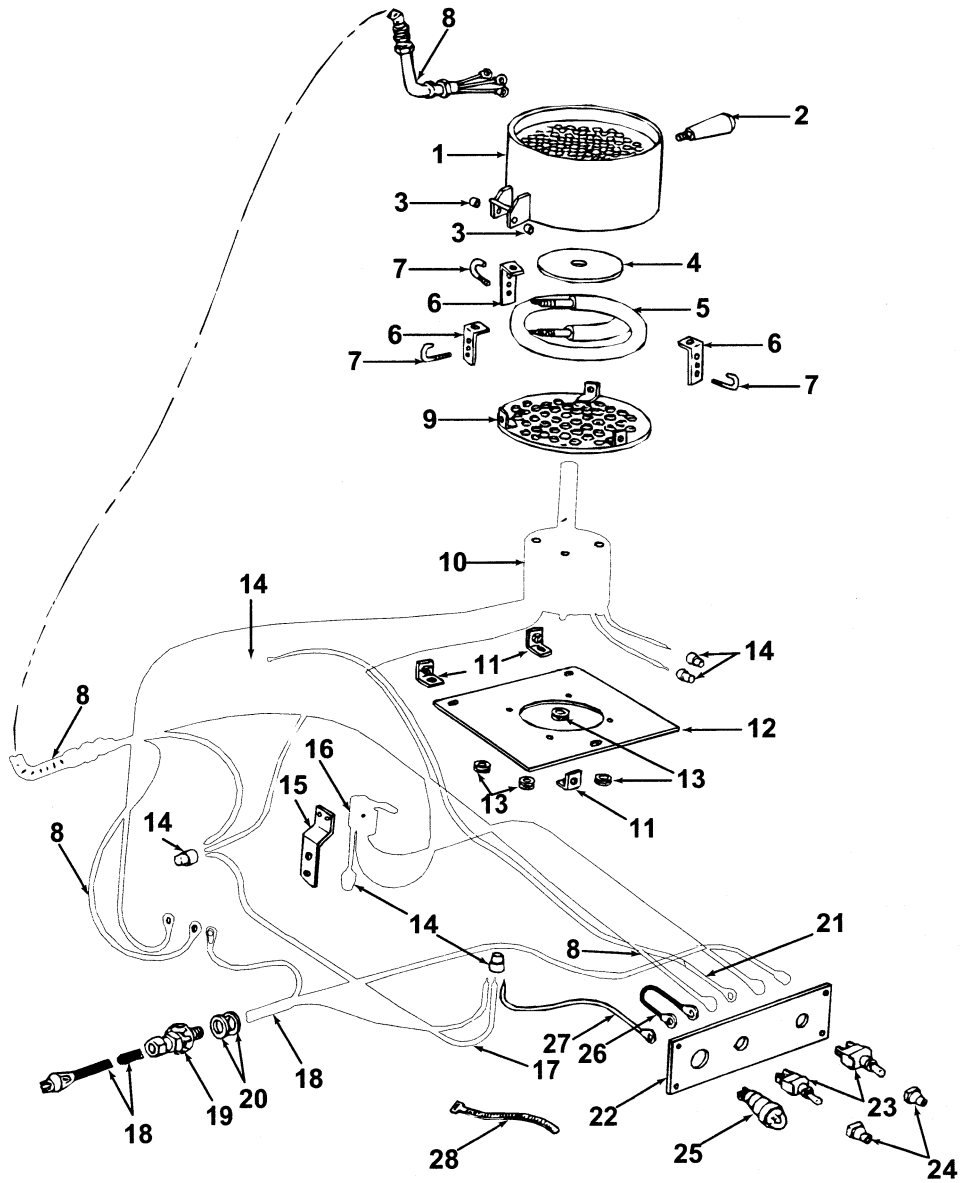
K11

01.02

p1

03/03

LID, HEAT ELEMENT, MOTOR & ELECTRICAL



LID, HEAT ELEMENT, MOTOR & ELECTRICAL

REF	FN	PART NUMBER	YR/SN	QTY	DESCRIPTION
1		786642		1	Lid, Includes: Ref. 2
		88206		2	Screw, Cap, HH, G5, 3/8"-16 x 1"
		80702		AR	Washer, 3/8"
		80680		2	Washer, Lock, 3/8"
		88902		2	Nut, Lock, GC, 3/8"-16
2		186610		1	Handle
		280615		1	Bolt, HH, Tap, G5, 1/2"-13 x 2-1/2"
		9638005		1	Nut, Jam, G2, 1/2"-13
		685896		1	Washer, Nylon, 1/2"
3		516579		2	Bushing, Lid
4		786690		1	Disc
		523291		1	Screw, Cap, Flg, USR, 1/4"-20 x 1/2"
		523282		1	Nut, Flg, USR, 1/4"-20
5		786694		1	Element, Heater, 600 Watts at 115 Volts
6		798105		3	Bracket
		677808		3	Screw, Self Tapping, HWH, 1/4"-20 x 5/8"
7		786684		3	J-Bolt
		280129		3	Nut, Lock, Prevailing Torque, G8, 1/4"-20
8		786691		1	Conduit & Wire, Heating Element
	1	84821		1	Screw, Truss Hd, #10-24 x 1/2"
	1	84461		1	Screw, Truss Hd, G2, #10-24 x 5/8"
	1	86544338		2	Washer, Lock, Int-Ext T, #10
		80684		1	Washer, Lock, #10
	1	87304		2	Nut, #10-24
9		786663		1	Cover
		677808		3	Screw, Self Tapping, HWH, 1/4"-20 x 5/8"
10		851512		1	Motor, 1/8 HP, 115 Volt
		86511449		4	Nut, Lock, Flg, #8-32
11		786650		3	Angle
		280237		3	Bolt, Carriage, G5, 5/16" x 3/4"
		80664		3	Washer, 5/16"
		80681		3	Washer, Lock, 5/16"
		9635082		3	Nut, G5, 5/16"-18
12		786685		1	Plate, Mounting, Motor
		271288		3	Screw, Cap, Flg Hd, USR, 5/16"-18 x 5/8"
		80664		3	Washer, 5/16"

(1) Hardware for Ground Wire to Frame

K11

LID, HEAT ELEMENT, MOTOR & ELECTRICAL

REF	FN	PART NUMBER	YR/SN	QTY	DESCRIPTION
		80681		3	Washer, Lock, 5/16"
		9635082		3	Nut, G5, 5/16"-18
13		103989		4	Grommet, Motor Mount
		80707		8	Washer, 3/16"
14		145300		7	Connector, Wire, Pigtail
15		786686		1	Bracket, Mounting, Switch
		677808		2	Screw, Self Tapping, HWH, 1/4"-20 x 5/8"
		80684		2	Washer, Lock, #10
		87304		2	Nut, #10-24
16		699312		1	Switch, Snap
		855142		1	Terminal, Ring, Wire, #6
		86511908		2	Screw, Pan Hd, G2, #6-32 x 3/4"
		86511189		2	Washer, #6
		87267		2	Washer, Lock, #6
		88458		2	Nut, #6-32
17		786652		1	Wire, 14 Gauge, White, 8" (203mm) Lg., Power Cord to Heating Element
18		786647		1	Power Cord
		46431		1	GP1-9Terminal, Wire Ring, Includes: Lead Wires & Locknut
19		627865		1	Connector, Power Cord, 1/2" NPT
20		87366		2	Washer, SAE, 7/8"
21		9806731		1	Wire, 14 Gauge, Black, 5" (127mm) Lg., (Power Cord to Switches)
		855142		1	Terminal, Ring, Wire, #6
22*		798106		1	Panel, Switch
		523291		4	Screw, Cap, Flg, 1/4"-20 x 5/8" USR
		523282		4	Nut, Flg, USR, 1/4"-20
23		627868		2	Switch, Motor & Heating Element
		280384		4	Washer, Lock, Int T, #6
24		602997		2	Seal, Switch
25		9621926		1	Light, Indicator, Panel, Oil Tight
		9621927		1	Bulb, Lamp, B7A Neon
		280384		2	Washer, Lock, Int T, #6
26		850902		1	Wire, 14 Gauge, Black, 3" (76mm) Lg., Heater Switch to Panel Light
		855142		2	Terminal, Ring, Wire, #6

K11

LID, HEAT ELEMENT, MOTOR & ELECTRICAL

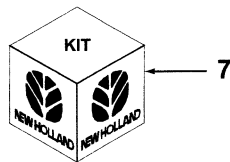
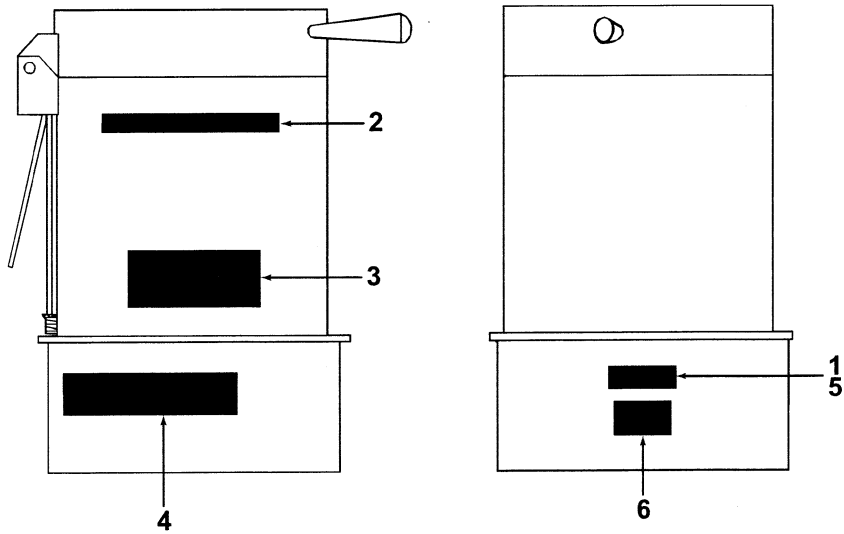
REF	FN	PART NUMBER	YR/SN	QTY	DESCRIPTION
27		786653		1	Wire, 14 Gauge, White, 6" (152mm) Lg.
		885142		1	Terminal, Ring, Wire, #6
28		263117		2	Cable Tie, 3/32" x 11-1/2" L
					K11

01.03

p1

02/03

DECALS



DECALS

REF	FN	PART NUMBER	YR/SN	QTY	DESCRIPTION
1		NSS		1	Plate, Model/Serial
2		851401		1	Sign, NH Yellow 10
3		849648		1	Sign, Caution
4		849647		1	Sign, Panel
5		NSS		2	Screw, Self-Tapping, Brass, #4 x 1/4"
6		NSS		1	Label, Underwriters
7		786634		1	Kit, Decal, Includes: Ref. 2 - 4

K11