

PRODUCT BULLETIN



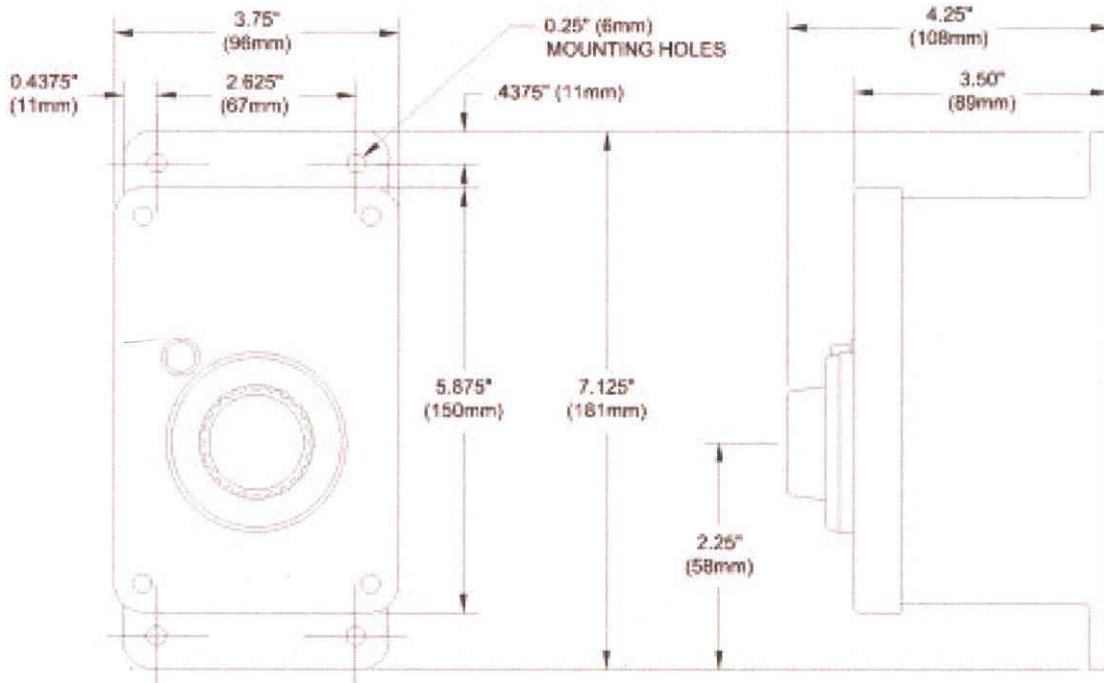
NR SERIES, NON-INDICATING THERMOSTATS						
MODEL NUMBER	VOLTS	MAX. AMPS	TEMP. RANGE	SENSOR LENGTH Ft. (m)	REPL. SENSOR P/N	SHIP WGT. Lbs./kg
NR25	120/240	25*	30-220°F	5' (1.5m)	NR25-5L	3 (1.5)
NR25-12	120/240	25	30-220°F	12' (3.7m)	NR25-12L	3 (1.5)
N25H	120/240	25	200-550°F	5' (1.5m)	N25H-5L	3 (1.5)

*For heating only.

Product Features and Benefits:

- ◆ **IMPROVES PROCESS CONTROL:** Large, easy to read dial. Provides general control and consistent plating and etch rates in most aqueous processes.
- ◆ **TEMPERATURE SENSOR:** Fluoropolymer (FEP) covered 5-foot (1.5m) copper bulb and capillary provided standard with the control. Provides extended service in corrosive liquids. Ethylene glycol filled system.
- ◆ **CORROSION RESISTANT ENCLOSURE:** Vapor tight, NEMA 1, IP23, flame retardant gasketed plastic enclosure with stainless steel hardware.
- ◆ **CERTIFICATIONS:** cUL.
- ◆ **CAPACITIES:**
 - Double pole, single throw switches rated at 25 amps for either 120 or 240 volts.
- Adjustable temperature range from 30 °F to 220 °F.
- +/- 5 °F accuracy.
- 30 °F (-1 °C) to 150 °F (65 °C) ambient temperature range.
- Single phase only.
- ◆ **SAFETY FEATURES:**
 - Pre-wired PI terminal blocks.
 - Ground connection on thermostat.
- ◆ **OPTIONS AVAILABLE (consult factory):**
 - 12-foot (3.6m) sensors.
 - Combination controls available for three phase service and larger heater loads.
 - Pre-wired outlets for plug-in heaters.
 - 200 °F to 550 °F temperature range.

DIMENSIONS



NR CONTROL ORDERING INFORMATION

Series	Amperes	Standard Options
NR	25	-PB = mounted in plastic box -12 = 12 foot (3.7m) sensor -H = high temperature range (200 - 500° F)

ORDERING EXAMPLE:

NR25-12
NR series control, 25 amps, with 12 foot sensor.