

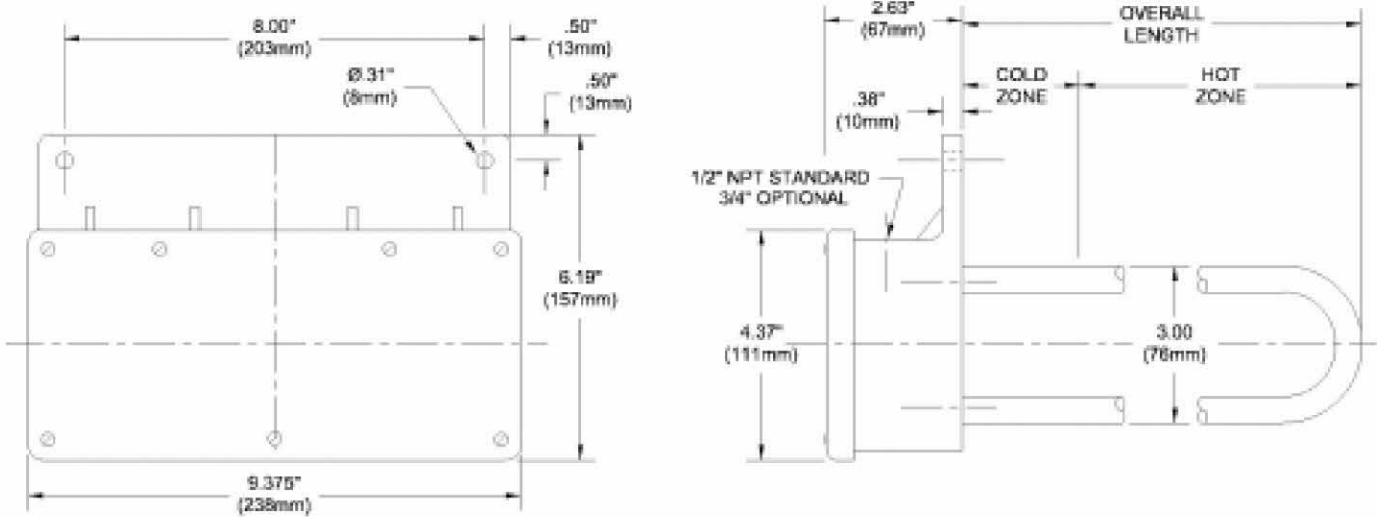
9HS SERIES, NINE ELEMENT STAINLESS STEEL HEATERS					
WATTS	VOLTS	HOT	OVERALL	MODEL	SHIP
		ZONE	LENGTH		
		In./(mm)	In./(mm)		Lbs./(kg)
9000	240	10	17	9HS9217-**	16
	480	(255)	(430)	9HS9417-**	(7.5)
13500	240	16	23	9HS13.5223-**	19
	480	(405)	(585)	9HS13.5423-**	(9)
22500	240	20	29	9HS22.5229-**	23
	480	(510)	(735)	9HS22.5429-**	(10.5)
31500	240	25	34	9HS31.5234-**	25
	480	(635)	(835)	9HS31.5434-**	(11.5)

Three phase standard, single phase available as option. Add "-1" before thermal protector designator.

## Product Features and Benefits:

- ◆ **SUPERIOR CHEMICAL RESISTANCE:** For use in most aqueous alkaline solutions and rinse tanks. Check solution recommendation chart or with your chemical supplier for proper sheath material selection.
- ◆ **RUGGED CONSTRUCTION:** Heavy wall metal sheaths in 316 stainless steel.
- ◆ **OUTSTANDING PERFORMANCE:** Watt densities of 40 watts per square inch (6.2 w/cm<sup>2</sup>) use minimal space and ensure long service life.
- ◆ **CORROSION RESISTANT HEAD:** Vapor tight, flame retardant polypropylene terminal enclosure with 3-foot (.9m) flexible PVC liquid tight conduit.
- ◆ **SAFETY FEATURES:**
  - Grounded construction.
  - Thermal protector built in. Replaceable PI fuse standard for solutions up to 180°F (82°C).
  - Non-floating construction.
- ◆ **CERTIFICATIONS:** UL, CSA and CE.
- ◆ **SIZES:** 9,000 watts to 31,500 watts.
- ◆ **VOLTAGES:** 240 or 480 volts. 208, 380, 415, 600 and other voltages available. Three phase standard, single phase available.
- ◆ **OPTIONS AVAILABLE** (consult factory):
  - Replaceable thermal protectors:
    - PIM: for solutions from 180°F (82°C) to 230°F (110°C).
    - PIH: for solutions from 230°F (110°C) to 300°F (150°C).
  - Resettable thermal protectors:
    - PII: for solutions up to 180°F (82°C).
    - PIIM: for solutions from 180°F (82°C) to 230°F (110°C).
    - PIIH: for solutions from 230°F (110°C) to 300°F (150°C).
  - L-Shaped and other special configurations and lengths.
  - Longer wire and conduit lengths.
  - Lower watt densities for highly viscous solutions.
  - Titanium elements.
  - Temperature and level controls sized to match the heater.

## DIMENSIONS



## 9 ELEMENT OVER THE SIDE HEATER

Series	Wattage	Voltage	Overall Length	Options	Type of Fuse	Wire and Conduit Length
	9 = 9000 13.5 = 13500 22.5 = 22500 31.5 = 31500	2 = 240 4 = 480 -208- = 208 -380- = 380 -415- = 415 -600- = 600	17 = 9kW 23 = 13.5kW 29 = 22.5kW 34 = 31.5kW	9HS = 9 element, 316 stainless steel	-PI (std) -PIM -PIH	36" length standard (no designator) specify variations from standard Ex: -X84 = 84"
				X = any special configuration not called out in the part number (specify in clear text) no designator = three phase power (standard) -1 = single phase power	<b>Replaceable Fuse</b> for solutions up to 180°F for 180° - 230°F solutions for 230° - 300°F solutions	
					<b>Resettable Fuse</b> (additional control components required) for solutions up to 180°F for 180° - 230°F solutions for 230° - 300°F solutions	

### ORDERING EXAMPLE:

9HS9-208-17-PIM-X96

9 element, 316 stainless steel, 9000 watt, 208 volt, 17" overall length, PIM fuse, 96" conduit and leads.

**PROCESS  
TECHNOLOGY**