

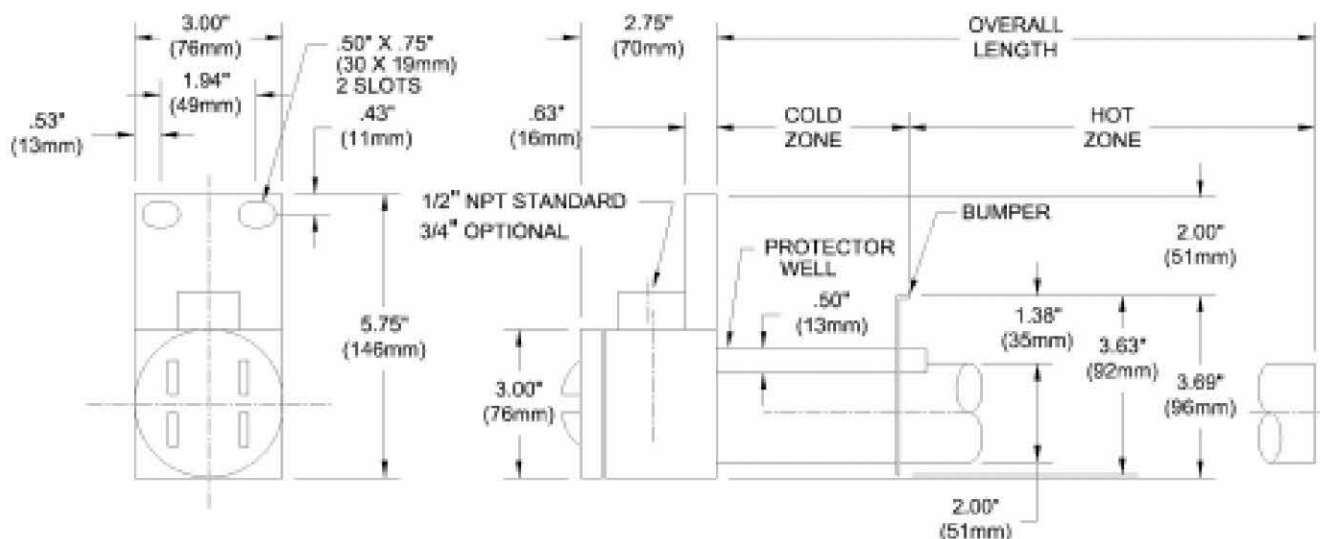
D SERIES, DERATED METAL HEATERS									
WATTS	VOLTS	HOT ZONE	OVERALL LENGTH	STEEL	304 SS	316 SS	TITANIUM	SHIP WGT.	
		In./(mm)	In./(mm)						
500	120	6	11	DP.5111-**	DF.5111-**	DS.5111-**	DT.5111-**	7	
	240	(155)	(280)	DP.5211-**	DF.5211-**	DS.5211-**	DT.5211-**	(3.5)	
1000	240	10	17	DP1217-**	DF1217-**	DS1217-**	DT1217-**	10	
	480	(255)	(430)	DP1417-**	DF1417-**	DS1417-**	DT1417-**	(4.5)	
1500	240	16	23	DP1.5223-**	DF1.5223-**	DS1.5223-**	DT1.5223-**	11	
	480	(405)	(585)	DP1.5423-**	DF1.5423-**	DS1.5423-**	DT1.5423-**	(5)	
2000	240	20	29	DP2229-**	DF2229-**	DS2229-**	DT2229-**	13	
	480	(510)	(735)	DP2429-**	DF2429-**	DS2429-**	DT2429-**	(6)	
2500	240	25	35	DP2.5235-**	DF2.5235-**	DS2.5235-**	DT2.5235-**	15	
	480	(635)	(890)	DP2.5435-**	DF2.5435-**	DS2.5435-**	DT2.5435-**	(7)	
3000	240	30	40	DP3240-**	DF3240-**	DS3240-**	DT3240-**	17	
	480	(760)	(1015)	DP3440-**	DF3440-**	DS3440-**	DT3440-**	(8)	
4000	240	37	47	DP4247-**	DF4247-**	DS4247-**	DT4247-**	23	
	480	(940)	(1195)	DP4447-**	DF4447-**	DS4447-**	DT4447-**	(10.5)	
4500	240	44	54	DP4.5254-**	DF4.5254-**	DS4.5254-**	DT4.5254-**	24	
	480	(1120)	(1370)	DP4.5454-**	DF4.5454-**	DS4.5454-**	DT4.5454-**	(11)	
5000	240	49	59	DP5259-**	DF5259-**	DS5259-**	DT5259-**	25	
	480	(1245)	(1500)	DP5459-**	DF5459-**	DS5459-**	DT5459-**	(11.5)	
6000	240	58	68	DP6268-**	DF6268-**	DS6268-**	DT6268-**	28	
	480	(1475)	(1730)	DP6468-**	DF6468-**	DS6468-**	DT6468-**	(13)	

Three phase available as option, add "-3" before thermal protector designator.

## Product Features and Benefits:

- ◆ **SUPERIOR CHEMICAL RESISTANCE:** Materials available for use in most concentrated aqueous alkaline solutions, plating, and phosphate solutions. Check solution recommendation chart or with your chemical supplier for proper sheath material selection.
- ◆ **RUGGED CONSTRUCTION:** Heavy wall metal sheaths available in:
  - Steel.
  - 304 stainless steel.
  - 316 stainless steel.
  - Titanium.
- ◆ **OUTSTANDING PERFORMANCE:** Low watt densities of 18 watts per square inch (2.8 w/cm<sup>2</sup>) extend service life.
- ◆ **CORROSION RESISTANT HEAD:** Vaportight, flame retardant polypropylene terminal enclosure with 3-foot (.9m) flexible PVC liquid tight conduit.
- ◆ **SAFETY FEATURES:**
  - Grounded construction.
  - Thermal protector built in. Replaceable PI fuse standard for solutions up to 180°F (82°C).
  - Non-floating construction.
- ◆ **CERTIFICATIONS:** UL (except steel sheath), CSA, and CE.
- ◆ **SIZES:** 500 watts to 6,000 watts.
- ◆ **VOLTAGES:** 120, 240 or 480 volts. 208, 380, 415, 600 and other voltages available. Single phase standard, three phase available.
- ◆ **OPTIONS AVAILABLE (consult factory):**
  - Replaceable thermal protectors:
    - PIM: for solutions from 180°F (82°C) to 230°F (110°C).
    - PIH: for solutions from 230°F (110°C) to 300°F (150°C).
  - Resettable thermal protectors:
    - PII: for solutions up to 180°F (82°C).
    - PIIM: for solutions from 180°F (82°C) to 230°F (110°C).
    - PIIH: for solutions from 230°F (110°C) to 300°F (150°C).
  - Special configurations and lengths.
  - Longer wire and conduit lengths.
  - Lower watt densities for highly viscous solutions.
  - Temperature and level controls sized to match the heater.

## DIMENSIONS



## DERATED SINGLE TUBE METAL OVER THE SIDE HEATER ORDERING INFORMATION

Series	Wattage	Voltage	Length	Options	Type of Fuse	Wire and Conduit Length																		
	.5 = 500 1 = 1000 1.5 = 1500 2 = 2000 2.5 = 2500 3 = 3000 4 = 4000 4.5 = 4500 5 = 5000 6 = 6000	1 = 120 2 = 240 4 = 480 -208- = 208 -380- = 380 -415- = 415 -600- = 600	11 = .5kW 17 = 1kW 23 = 1.5kW 29 = 2kW 35 = 2.5kW 40 = 3kW 47 = 4kW 54 = 4.5kW 59 = 5kW 68 = 6kW specify custom lengths, not to exceed tank depth			no designator = 36" length standard specify variations from standard Ex: -X84 = 84"																		
	DP = steel DF = 304 stainless steel DS = 316 stainless steel DT = titanium				<table border="1" style="width: 100%; border-collapse: collapse;"> <thead> <tr> <th colspan="2" style="text-align: center;">Replaceable Fuse</th> </tr> </thead> <tbody> <tr> <td style="width: 20%;">-PI (std)</td> <td>for solutions up to 180°F</td> </tr> <tr> <td>-PIM</td> <td>for 180° - 230°F solutions</td> </tr> <tr> <td>-PIH</td> <td>for 230° - 300°F solutions</td> </tr> <tr> <th colspan="2" style="text-align: center;">Resettable Fuse</th> </tr> <tr> <td colspan="2" style="text-align: center;">(additional control components required)</td> </tr> <tr> <td>-PII</td> <td>for solutions up to 180°F</td> </tr> <tr> <td>-PIIM</td> <td>for 180° - 230°F solutions</td> </tr> <tr> <td>-PIIH</td> <td>for 230° - 300°F solutions</td> </tr> </tbody> </table>	Replaceable Fuse		-PI (std)	for solutions up to 180°F	-PIM	for 180° - 230°F solutions	-PIH	for 230° - 300°F solutions	Resettable Fuse		(additional control components required)		-PII	for solutions up to 180°F	-PIIM	for 180° - 230°F solutions	-PIIH	for 230° - 300°F solutions	
Replaceable Fuse																								
-PI (std)	for solutions up to 180°F																							
-PIM	for 180° - 230°F solutions																							
-PIH	for 230° - 300°F solutions																							
Resettable Fuse																								
(additional control components required)																								
-PII	for solutions up to 180°F																							
-PIIM	for 180° - 230°F solutions																							
-PIIH	for 230° - 300°F solutions																							
	-X = any special configuration not called out in the part number (specify in clear text) no designator = single phase power (standard) -3 = three phase power																							

### ORDERING EXAMPLE:

DT4247-PI-X44

Derated, titanium, 4,000 watts, 240 volt, 47" overall length, PI fuse, 44" wire and conduit.

**PROCESS  
TECHNOLOGY**