

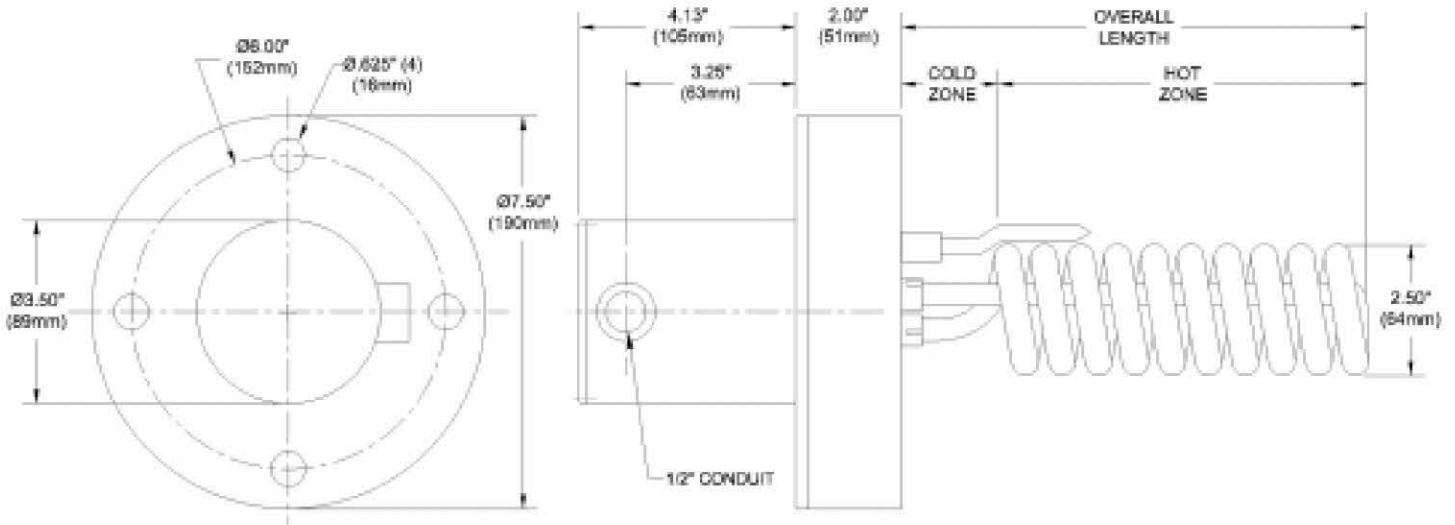
FLX SERIES, 3" 150 LB. STYLE FLUOROPOLYMER (PTFE FLANGED) HEATERS					
WATTS	VOLTS	NO. OF ELEMENTS	OVERALL LENGTH In./ (mm)	MODEL NUMBER	SHIP WGT. Lbs./ (kg)
1000	120	1	11	3FLX1111-**-**	20
	240		(280)	3FLX1211-**-**	(9)
2000	240	1	16	3FLX2216-**-**	23
	480		(405)	3FLX2416-**-**	(11)
3000	240	1	21	3FLX3221-**-**	26
	480		(535)	3FLX3421-**-**	(12)
4000	240	1	28	3FLX4228-**-**	29
	480		(710)	3FLX4428-**-**	(13.5)
5000	240	1	32	3FLX5232-**-**	32
	480		(815)	3FLX5432-**-**	(15)
6000	240	1	35	3FLX6235-**-**	35
	480		(890)	3FLX6435-**-**	(16)

6" 150 lb. style flanged heaters also available (6FLX series), consult factory. Heater rated up to 50 PSI service.

Product Features and Benefits:

- ◆ **SUPERIOR CHEMICAL RESISTANCE:** Inert to most aqueous acid, alkaline, anodizing and plating solutions. Check solution recommendation chart or with your chemical supplier for proper sheath material selection.
 - ◆ **RUGGED CONSTRUCTION:** Heavy wall fluoropolymer (PTFE) covered stainless steel sheath reduces permeation and eliminates the need for gas purge systems. Guaranteed 100% pinhole free.
 - Rated for up to 50 PSI service.
 - Vapor tight metal head.
 - ◆ **LONG LASTING PERFORMANCE:** Low watt densities of 10-watts per square inch (1.5w/cm²) ensure long service life.
 - ◆ **SAFETY FEATURES:**
 - Grounded internal metal heating element.
 - Thermal protector built in. Replaceable PT-I device standard for solutions up to 180 °F (82 °C).
 - ◆ **CERTIFICATIONS:** CE.
 - ◆ **SIZES:** 1000 watts to 6,000 watts.
 - ◆ **VOLTAGES:** 240 or 480 volts. 120, 208, 380, 415, 600 and other voltages available. Single phase only.
 - ◆ **OPTIONS AVAILABLE (consult factory):**
 - Special configurations and lengths.
 - Resettable thermal protectors:
 - PT-II bi-metal switch: for solutions up to 180 °F (82 °C).
 - PT-III type-J thermocouple for solutions from 190 °F (88 °C) to 210 °F (99 °C).
 - PIII type-J thermocouple for solutions from 210 °F (99 °C) to 250 °F (121 °C).
 - Additional thermowells.
 - Integral thermostats.
 - Lower watt densities for highly viscous solutions.
 - Temperature and level controls sized to match the heater.
- NOTE:** Gasket and bolts not provided. Intended for horizontal installation only.

DIMENSIONS



PTFE FLANGED HEATER ORDERING INFORMATION

Flange Size	Series	Wattage	Voltage	Overall Length (in.)	Options	Type of fuse	Wire and Conduit Length												
3 = 3" 6 = 6"	1 = 1000 2 = 2000 3 = 3000 4 = 4000 5 = 5000 6 = 6000 FLX = PTFE sheathed FLS = 304 stainless steel	1 = 120 2 = 240 4 = 480 -208- = 208 -380- = 380 -415- = 415 -600- = 600	11 = 1kW 16 = 2kW 21 = 3kW 28 = 4kW 32 = 5kW 35 = 6kW specify (custom lengths available)	single phase power only for 3FL series three phase power standard for 6FL series -1 = single phase power (6FL only) -X = any special configuration not called out in the part number (specify in clear text)	<table border="1" style="width: 100%; border-collapse: collapse;"> <tr> <th colspan="2" style="text-align: center;">Replaceable Fuse</th> </tr> <tr> <td style="text-align: center;">-PT-I (std)</td> <td style="text-align: center;">for solutions up to 180°F</td> </tr> <tr> <th colspan="2" style="text-align: center;">Resettable Fuse</th> </tr> <tr> <td colspan="2" style="text-align: center;">(additional control components required)</td> </tr> <tr> <td style="text-align: center;">-PT-II</td> <td style="text-align: center;">for solutions up to 180°F</td> </tr> <tr> <td style="text-align: center;">-PIII</td> <td style="text-align: center;">for 210° - 250°F solutions</td> </tr> </table>	Replaceable Fuse		-PT-I (std)	for solutions up to 180°F	Resettable Fuse		(additional control components required)		-PT-II	for solutions up to 180°F	-PIII	for 210° - 250°F solutions	no designator = 36" length standard, specify variations from standard Ex: -X84 = 84"	
Replaceable Fuse																			
-PT-I (std)	for solutions up to 180°F																		
Resettable Fuse																			
(additional control components required)																			
-PT-II	for solutions up to 180°F																		
-PIII	for 210° - 250°F solutions																		

ORDERING EXAMPLE:

3FLX1211-PT-I

3" PTFE flange, PTFE sheathed element, 1,000 watts, 240 volts, 11" overall length, PT-I fuse.

**PROCESS
TECHNOLOGY**