

X SERIES, FLUOROPOLYMER HEAT EXCHANGERS						
EXCHANGE AREA (Sq. Ft.)	DIMENSIONS				MODEL NUMBER	SHIP WTG. Lbs./kg
	A In./(mm)	B In./(mm)	C In./(mm)	D In./(mm)		
2.25*	11-1/2 (292)	11-1/2 (292)	1-1/2 (38)	17-1/2 (445)	X1-12-12-18-F	10 (4.5)
4.50*	11-1/2 (292)	11-1/2 (292)	2 (51)	17-1/2 (445)	X2-12-12-18-F	12 (5.5)
4.50*	15-1/2 (394)	15-1/2 (394)	1-1/2 (38)	21-1/2 (546)	X2-16-16-22-F	15 (7)
9.25*	15-1/2 (394)	15-1/2 (394)	2 (51)	21-1/2 (546)	X4-16-16-22-F	18 (8)
6.00	17-1/2 (445)	17-1/2 (445)	2 (51)	23-1/2 (597)	X2-18-18-24-F-LP	22 (10)
12.00	17-1/2 (445)	17-1/2 (445)	3-1/4 (82.5)	23-1/2 (597)	X4-18-18-24-F-LP	30 (13.5)
18.00	17-1/2 (445)	17-1/2 (445)	4-1/2 (114)	23-1/2 (597)	X6-18-18-24-F-LP	38 (17.5)
24.00	17-1/2 (445)	17-1/2 (445)	5-3/4 (146)	23-1/2 (597)	X8-18-18-24-F-LP	42 (19)
11.50	23-1/2 (597)	23-1/2 (597)	2 (51)	29-1/2 (750)	X2-24-24-30-F-LP	32 (14.5)
23.00	23-1/2 (597)	23-1/2 (597)	3-1/4 (82.5)	29-1/2 (750)	X4-24-24-30-F-LP	37 (17)
34.50	23-1/2 (597)	23-1/2 (597)	4-1/2 (114)	29-1/2 (750)	X6-24-24-30-F-LP	41 (18.5)
46.50	23-1/2 (597)	23-1/2 (597)	5-3/4 (146)	29-1/2 (750)	X8-24-24-30-F-LP	60 (27)

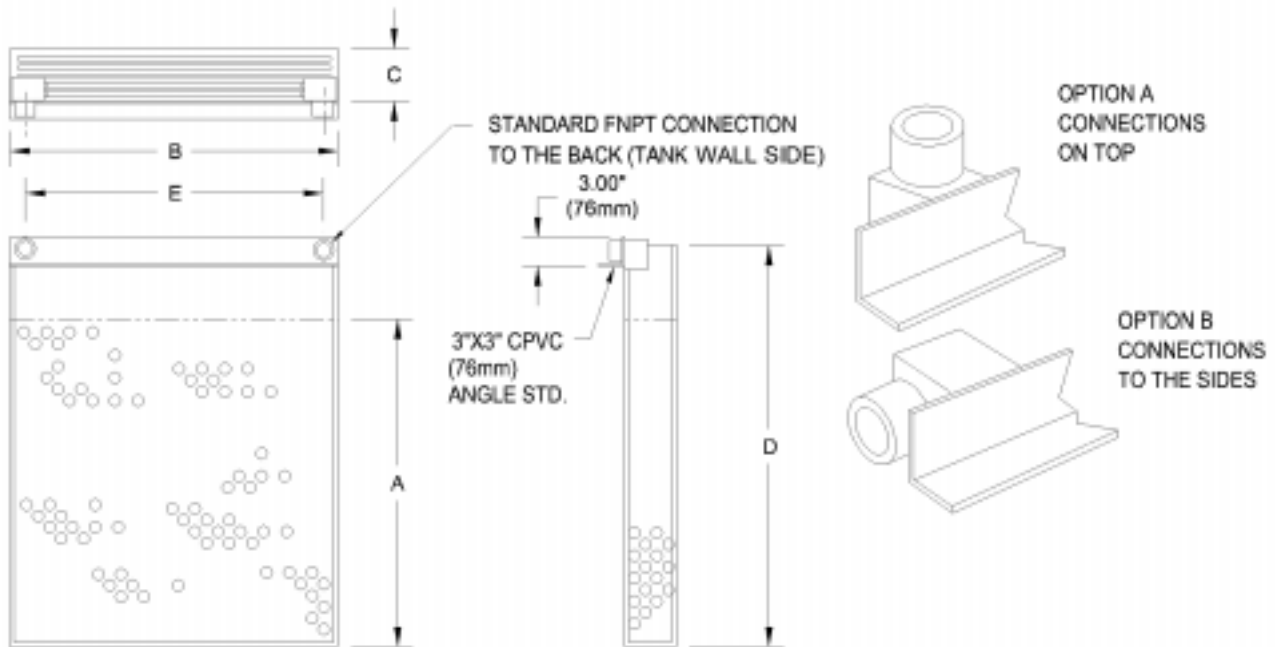
* = 1/4" (7 mm) diameter tubing. All other coils have 1/2" (13 mm) diameter tubing.

Product Features and Benefits:

- ◆ **SUPERIOR CHEMICAL RESISTANCE:** For heating or cooling of most aqueous acid and alkaline solutions. Check solution guide or consult with your chemical supplier for proper sheath material selection.
- ◆ **RUGGED CONSTRUCTION:**
 - All wetted parts of fluoropolymer (FEP, PFA or PTFE) construction.
 - Heavy duty CPVC mounting bracket.
 - 1/8-inch thick perforated guard helps protect the coil from damage.
- ◆ **OUTSTANDING PERFORMANCE:** Heavy wall tubing improves circulation and minimizes pressure drop. Larger coils constructed of 1/2-inch (13 mm) tubing, smaller coils have 1/4-inch (7 mm) tubing.
- ◆ **LEAK FREE OPERATION:** Integral inlet and outlet manifolds for single point connections greatly reduce the potential for leaks and simplify installation.
- ◆ **PRESSURE RATING:**
 - Standard coils are made from FEP (Fluorinated Ethylene Propylene) and rated up to 30 PSI steam service.
 - PFA (Perfluoroalkoxy resin) coils are available for steam service up to 60 PSI.
 - 10 PSI minimum steam pressure required for operation.
 - Consult factory regarding pressure reduced applications.
- ◆ **NON-CONDUCTIVE:** Eliminates stray currents in the tank.
- ◆ **SIZES:** 2.25 ft² to 46.5 ft² of exchange area standard.
- ◆ **OPTIONS AVAILABLE** (consult factory):
 - Anti-floatation brackets.
 - Special sizes.
 - Special manifold configurations.
 - L-shaped configurations for bottom heat applications.
 - Dual coils for both heating and cooling.

NOTE: Vacuum breakers recommended for fluoropolymer heat exchanger steam heating installations. Please consult factory regarding pressure reduced steam applications.

DIMENSIONS



FLUOROPOLYMER EXCHANGER ORDERING INFORMATION

Series	No. of Tubes	Coil Height	Coil Width	Overall Height	Type of Material	Options
<div style="border: 1px solid black; padding: 2px; width: fit-content; margin-bottom: 5px;">X = Fluoropolymer</div>	<div style="border: 1px solid black; padding: 2px; width: fit-content;"> 1 2 4 6 8 </div>	<div style="border: 1px solid black; padding: 2px; width: fit-content;"> specify in inches 12 = 11.5" 16 = 15.5" 18 = 17.5" 24 = 23.5" or specify custom height </div>	<div style="border: 1px solid black; padding: 2px; width: fit-content;"> specify in inches 12 = 11.5" 16 = 15.5" 18 = 17.5" 24 = 23.5" or specify custom width </div>	<div style="border: 1px solid black; padding: 2px; width: fit-content;"> specify in inches, standard has 6" of cold zone 18 = 17.5" 22 = 21.5" 24 = 23.5" 30 = 29.5" or specify custom overall height </div>	<div style="border: 1px solid black; padding: 2px; width: fit-content;"> -F = FEP (30 PSI steam max) -P = PFA (60 PSI steam max) </div>	<div style="border: 1px solid black; padding: 2px; width: fit-content;"> -LP = low pressure manifold -A = connections oriented up -B = connections to the left and right sides connections to the back std. (see illustration) -BR = bottom style (specify riser height) -heat exchanger example: -BR48 = bottom style with 48" riser height -X = misc options such as: -manifold location -antifloatation bracket </div>

ORDERING EXAMPLE:

X4-24-24-30-P-LP-A

Fluoropolymer coil, 4 tubes, 23.5" height, 23.5" width, 29.5" overall height, PFA fluoropolymer material, low pressure manifold design, option A connection.

